

E-Z Burr Tool Specifications - Stubby Carbide Series

E-Z Burr Series STC 4B

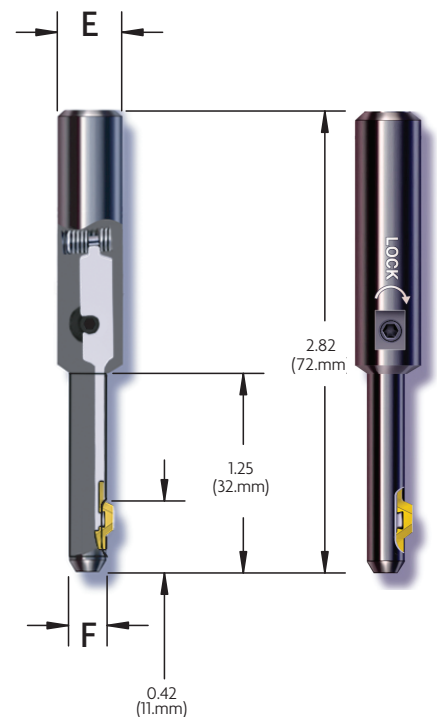
For Holes .122" through .153" (3.10mm to 3.90mm)

Tool #	Hole Diameter (F)		Shank Diameter (E)		Blade Series	O.A.L.		
	Inches	mm	Inches	mm		Inches	mm	
STC0122		.1220	3.10	0.393	10.0	STC4B	2.82	71.6
STC0125	1/8	.1250	3.17	0.393	10.0	STC4B	2.82	71.6
STC0129		.1299	3.30	0.393	10.0	STC4B	2.82	71.6
STC0133		.1338	3.40	0.393	10.0	STC4B	2.82	71.6
STC0137		.1378	3.50	0.393	10.0	STC4B	2.82	71.6
STC0140	9/64	.1406	3.57	0.393	10.0	STC4B	2.82	71.6
STC0145		.1456	3.70	0.393	10.0	STC4B	2.82	71.6
STC0149		.1496	3.80	0.393	10.0	STC4B	2.82	71.6
STC0153		.1535	3.90	0.393	10.0	STC4B	2.82	71.6

E-Z Burr Series STC 5A-5B

For Holes .157" through .236" (4.00mm to 6.00mm)

Tool #	Hole Diameter (F)		Shank Diameter (E)		Blade Series	O.A.L.		
	Inches	mm	Inches	mm		Inches	mm	
STC0157		.1574	4.00	0.393	10.0	STC5A	2.82	71.6
STC0165		.1653	4.20	0.393	10.0	STC5A	2.82	71.6
STC0171	11/64	.1718	4.36	0.393	10.0	STC5A	2.82	71.6
STC0177		.1771	4.50	0.393	10.0	STC5A	2.82	71.6
STC0187	3/16	.1875	4.76	0.393	10.0	STC5A	2.82	71.6
STC0196		.1968	5.00	0.393	10.0	STC5A	2.82	71.6
STC0203	13/64	.2031	5.15	0.393	10.0	STC5B	2.82	71.6
STC0208		.2086	5.30	0.393	10.0	STC5B	2.82	71.6
STC0216		.2165	5.50	0.393	10.0	STC5B	2.82	71.6
STC0218	7/32	.2185	5.55	0.393	10.0	STC5B	2.82	71.6
STC0228		.2283	5.80	0.393	10.0	STC5B	2.82	71.6
STC0234	15/64	.2343	5.95	0.393	10.0	STC5B	2.82	71.6
STC0236		.2362	6.00	0.393	10.0	STC5B	2.82	71.6



Easy. Fast. Built to Last.