

E-Z Burr Tool Specifications – “Small Hole” Carbide

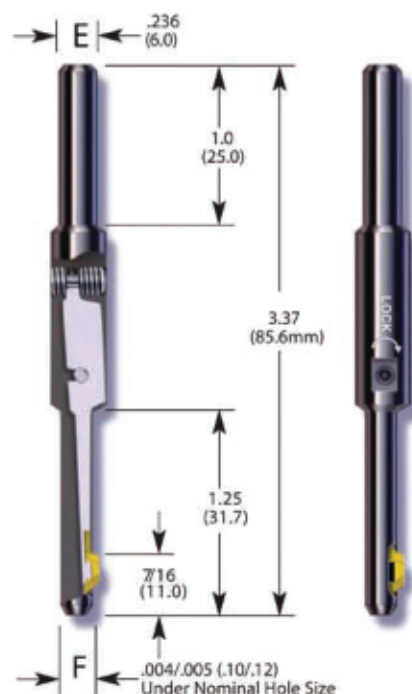
E-Z Burr Series C4B

For holes .125" through .153" (3.17mm to 3.9mm).

Tool #	Hole Diameter (F)		Shank Diameter (E)		Blade Series	
	Inches	mm	Inches	mm		
CDT 0125	1/8	0.1250	3.17	.236	6.00	C4B
CDT 0129		0.1299	3.30	.236	6.00	C4B
CDT 0133		0.1338	3.40	.236	6.00	C4B
CDT 0137		0.1378	3.50	.236	6.00	C4B
CDT 0140	9/64	0.1406	3.57	.236	6.00	C4B
CDT 0145		0.1456	3.70	.236	6.00	C4B
CDT 0149		0.1496	3.80	.236	6.00	C4B
CDT 0153		0.1535	3.90	.236	6.00	C4B

Note: Select tool to match hole diameter that you are deburring. For in-between hole diameters, select the next smaller tool number.

Note: Insert and flex arm is a one piece replaceable component.



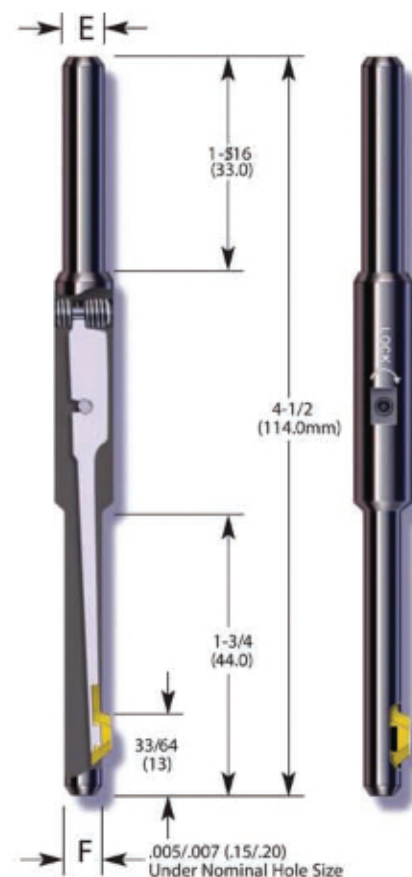
E-Z Burr Series C5B

For holes .156" through .236" (3.96mm to 6.0mm).

Tool #	Hole Diameter (F)		Shank Diameter (E)		Blade Series	
	Inches	mm	Inches	mm		
CDT 0156	5/32	0.1562	3.96	.250	6.35	C5B
CDT 0157		0.1574	4.00	.236	6.00	C5B
CDT 0165		0.1653	4.20	.236	6.00	C5B
CDT 0171	11/64	0.1718	4.36	.250	6.35	C5B
CDT 0177		0.1771	4.50	.236	6.00	C5B
CDT 0187	3/16	0.1875	4.76	.250	6.35	C5B
CDT 0196		0.1968	5.00	.236	6.00	C5B
CDT 0203	13/64	0.2031	5.15	.250	6.35	C5B
CDT 0208		0.2086	5.30	.236	6.00	C5B
CDT 0216		0.2165	5.50	.236	6.00	C5B
CDT 0218	7/32	0.2185	5.55	.250	6.35	C5B
CDT 0228		0.2283	5.80	.236	6.00	C5B
CDT 0234	15/64	0.2343	5.95	.250	6.35	C5B
CDT 0236		0.2362	6.00	.236	6.00	C5B

Note: Select tool to match hole diameter that you are deburring. For in-between hole diameters, select next smaller tool number.

Note: Insert and flex arm is a one piece replaceable component.



Easy. Fast. Built to Last.