

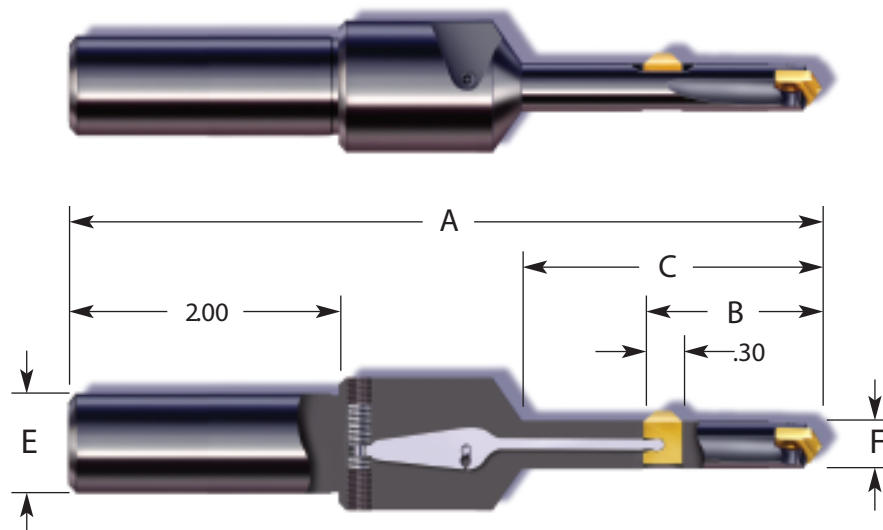
BurrFree Drill Chart

E-Z Burr Series

For holes .374" through 1.217 (9.50mm to 31.00mm).

Tool#	Drill Range (F)		Max Mat'l Thickness	A Dim	B Dim	C Dim	Shank Dia "E"	Insert Series
	Inches	mm		Inches	Inches	Inches		
BDS 10037	0.374 - 0.404	9.50 - 10.26	3/8"	5.72	1.29	1.94	0.625	C7A
BDS 11037	0.405 - 0.436	10.27 - 11.07	3/8"	5.72	1.29	1.94	0.625	C7B
BDS 12050	0.437 - 0.469	11.08 - 11.91	1/2"	5.72	1.44	2.19	0.625	C7B
BDS 13050	0.470 - 0.501	11.92 - 12.73	1/2"	5.72	1.44	2.19	0.625	C7B
BDS 14050	0.503 - 0.530	12.74 - 13.46	1/2"	5.75	1.46	2.20	0.750	C8A
BDS 15050	0.531 - 0.561	13.47 - 14.25	1/2"	5.75	1.46	2.20	0.750	C8A
BDS 16050	0.562 - 0.589	14.26 - 14.96	1/2"	5.75	1.46	2.20	0.750	C8A
BDS 17050	0.590 - 0.624	14.97 - 15.85	1/2"	5.75	1.46	2.20	0.750	C8A
BDS 18050	0.625 - 0.655	15.86 - 16.64	1/2"	5.75	1.46	2.20	0.750	C8A
BDS 19050	0.656 - 0.695	16.65 - 17.65	1/2"	5.75	1.46	2.20	0.750	C8A
BDS 20075	0.696 - 0.717	17.66 - 18.21	3/4"	6.19	1.74	2.74	1.000	C8A
BDS 21075	0.718 - 0.747	18.22 - 18.97	3/4"	6.19	1.74	2.74	1.000	C8A
BDS 22075	0.748 - 0.780	18.98 - 19.81	3/4"	6.19	1.74	2.74	1.000	C8A
BDS 23075	0.781 - 0.811	19.82 - 20.60	3/4"	6.19	1.74	2.74	1.000	C8A
BDS 24075	0.812 - 0.842	20.61 - 21.39	3/4"	6.19	1.74	2.74	1.000	C8A
BDS 25075	0.843 - 0.874	21.40 - 22.20	3/4"	6.19	1.74	2.74	1.000	C8A
BDS 26075	0.875 - 0.905	22.21 - 22.99	3/4"	6.19	1.74	2.74	1.000	C8A
BDS 27075	0.906 - 0.936	23.00 - 23.77	3/4"	6.19	1.74	2.74	1.000	C8A
BDS 28075	0.937 - 0.960	23.78 - 24.38	3/4"	6.19	1.74	2.74	1.000	C8A
BDS 29100	0.961 - 0.993	24.39 - 25.22	1.0"	6.42	2.00	3.25	1.250	C8A
BDS 30100	0.994 - 1.031	25.23 - 26.19	1.0"	6.42	2.00	3.25	1.250	C8A
BDS 31100	1.032 - 1.061	26.20 - 26.95	1.0"	6.42	2.00	3.25	1.250	C8A
BDS 32100	1.062 - 1.092	26.96 - 27.74	1.0"	6.42	2.00	3.25	1.250	C8A
BDS 33100	1.093 - 1.124	27.75 - 28.55	1.0"	6.42	2.00	3.25	1.250	C8A
BDS 34100	1.125 - 1.155	28.56 - 29.34	1.0"	6.42	2.00	3.25	1.250	C8A
BDS 35100	1.156 - 1.186	29.35 - 30.12	1.0"	6.42	2.00	3.25	1.250	C8A
BDS 36100	1.187 - 1.217	30.13 - 31.00	1.0"	6.42	2.00	3.25	1.250	C8A

Larger diameters available upon request. Material thickness is not limited to standards maximum. E-Z Burr tools are proprietary and are protected by U.S. and international patents.



Easy. Fast. Built to Last.